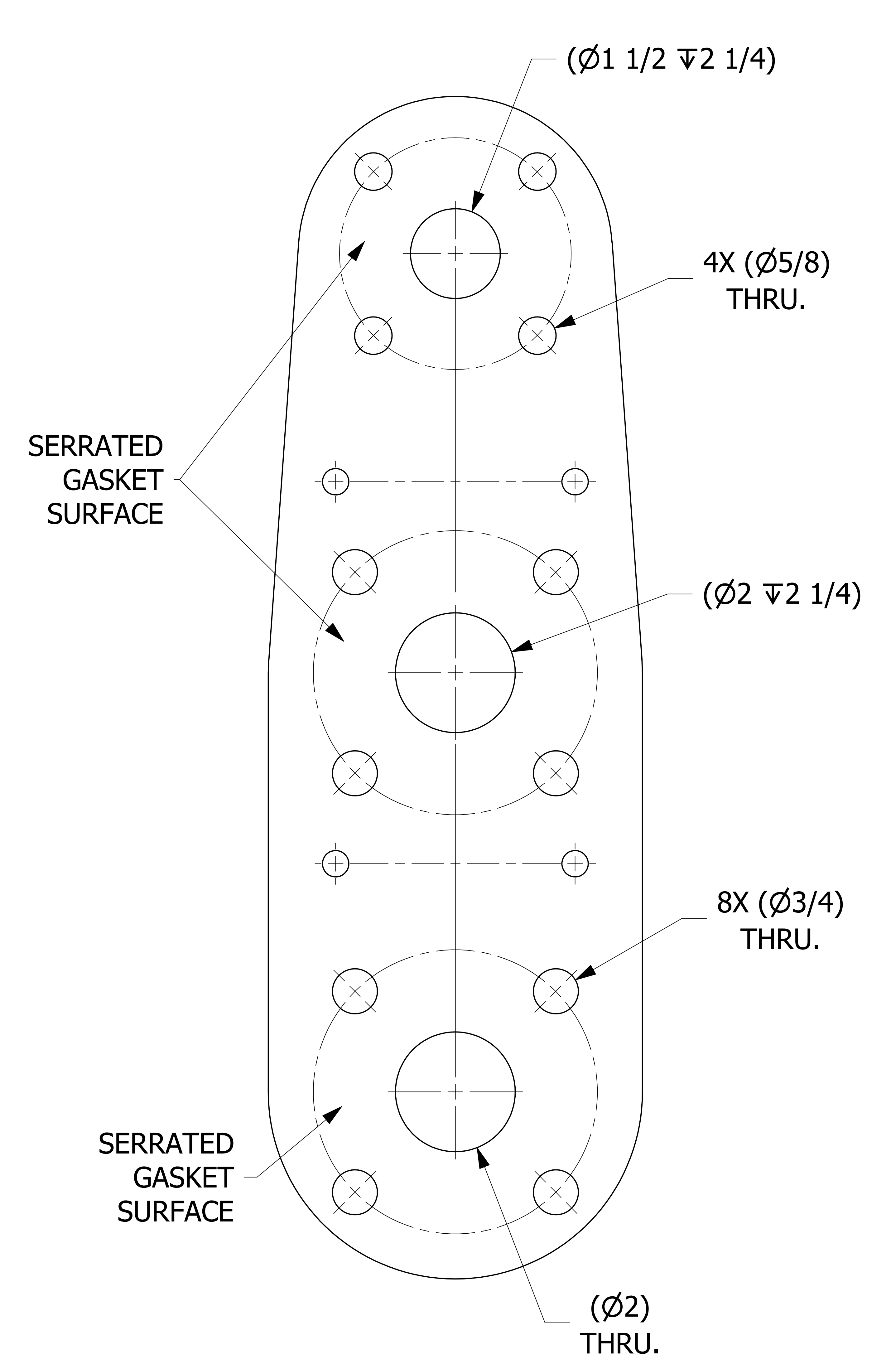
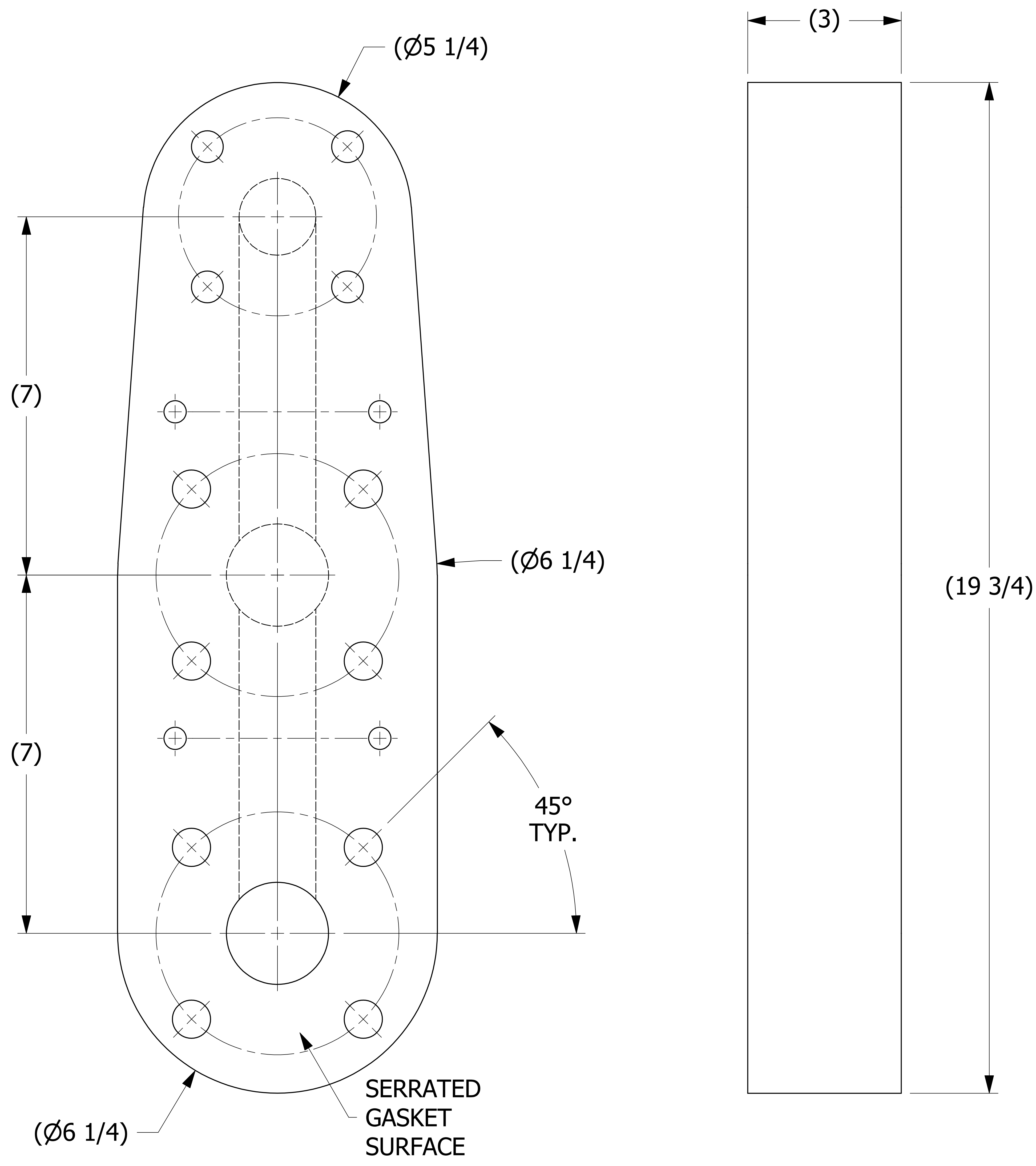


SALES DRAWING SALES DRAWING

SALES DRAWING SALES DRAWING



A	TAK	9-2-15	RELEASED FOR PRODUCTION
REV	BY	DATE	DESCRIPTION

<small>UNLESS OTHERWISE SPECIFIED DIMENSIONAL TOLERANCES FRACTIONAL: $\pm 1/16$ X.XX: $\pm .03$ X.XXX: $\pm .015$ ANGULAR: $\pm 1^\circ$ DEBURR ALL SHARP EDGES. ALL MACHINED SURFACES TO HAVE A 125 RMS FINISH UNLESS NOTED OTHERWISE.</small>	DRAWN BY:	TAK
	CHECKED BY:	JRO
	PROTOTYPE BY:	TAK
	PROTOTYPE DATE:	7/7/2015
	APPROVED FOR PRODUCTION BY:	TAK
	PRODUCTION DATE:	9/2/2015

SALCO PRODUCTS, INC.		
PART NAME: PARALLEL INSTRUMENT TEE 2"X2"X1 1/2"		
MATERIAL: SALCO PE		
PROJECT #:	SHEET #:	SCALE:
H150622	1 OF 1	1:1
DRAWING #:	PART #:	
E41833	HSPIT2X2X15	

THIS PRINT, PROPERTY OF SALCO PRODUCTS INC. CONTAINS PROPRIETARY INFORMATION AND MUST NOT BE COPIED, REPRODUCED, OR USED DETRIMENTALLY TO OUR INTEREST.

